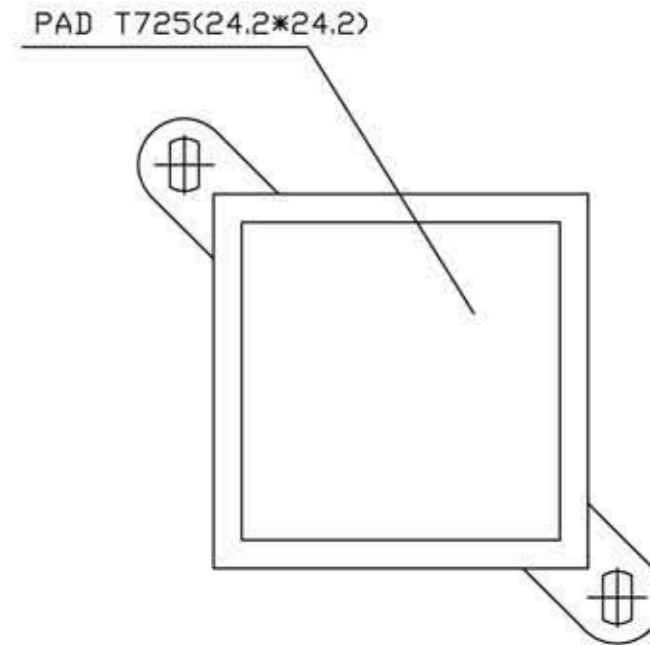
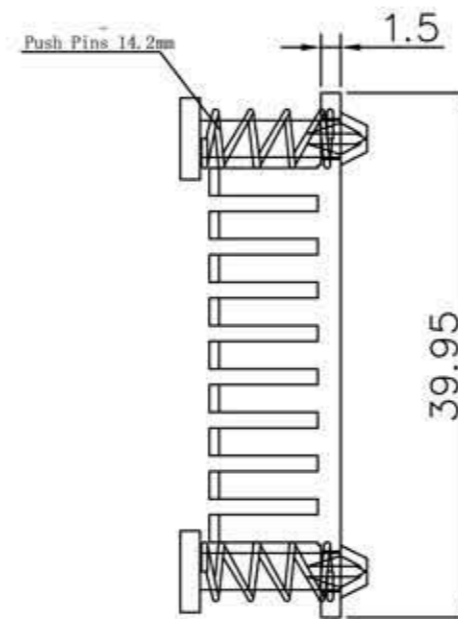
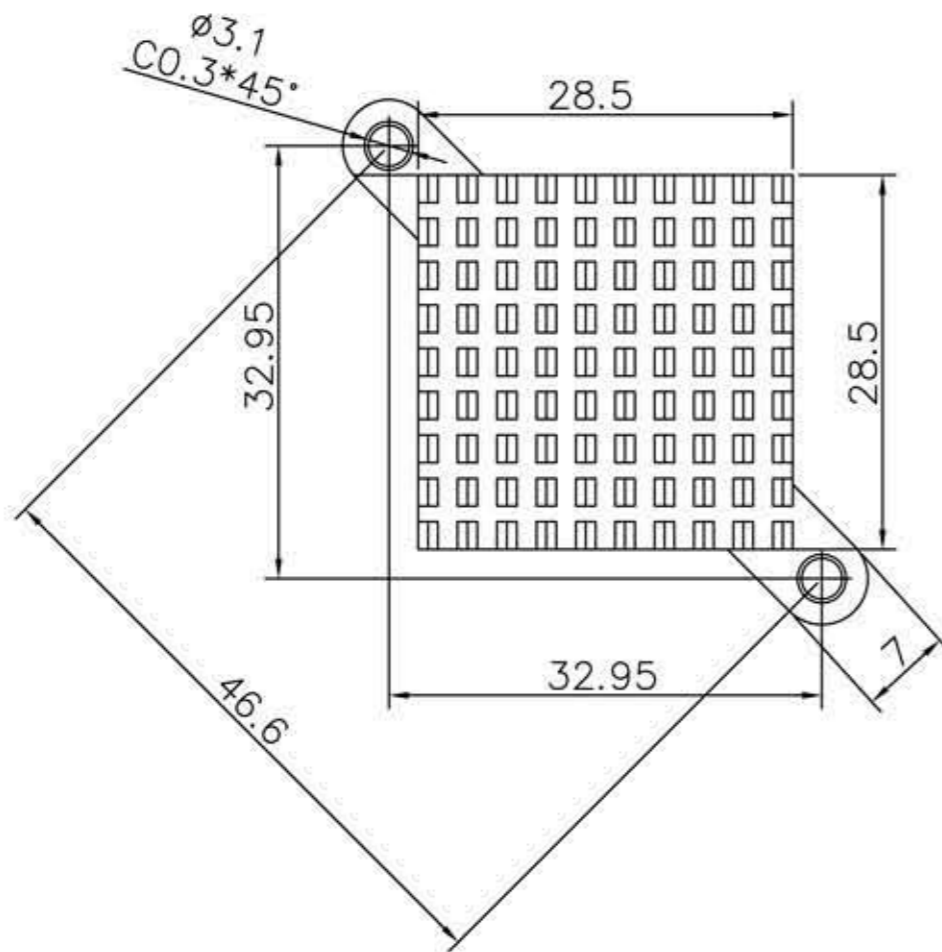
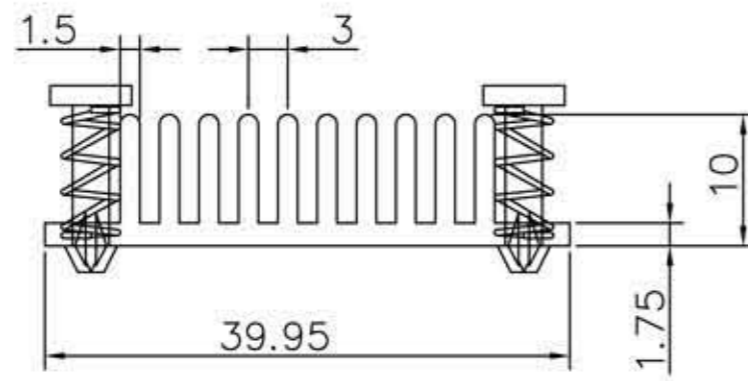


REV	DESCRIPTION	DATE	ORIGINATOR	APPROVED
A	--	--	--	--



ALL DIMENSIONS ARE IN mm		Cooling Source®			
UNLESS NOTED OTHERWISE		FINISH	NAME: Heat sink		
TOLERANCES:		Black anodized			
LINEAR		DRAWN BY	MATERIAL	DWG SIZE	CUS REV
0-6	±0.2	Mary.Zhang	AL 6063-T5	A4	A
6-30	±0.25	CHECKED BY	CUSTOMER PART NUMBER	SCALE	CS REV
30-90	±0.3	Mary.Zhang	N/A	1:1	A
90-150	±0.5	APPROVED BY	CS PART NUMBER	SHEET	DATE
150+	±0.5	Michel Gelin	CS8672810B1	4 of 4	2012-10-31
ANGULAR	± 10°				
DO NOT SCALE DRAWING					
CONCENTRICITY = 0.05 TIR					
16√ = 1.6um FINISH					
ALL THREADS CLASS 2					
PERPENDICULARITY & PARALLELISM					
0.1 REMOVE SHARP EDGES AND BURRS					
THIRD ANGLE PROJECTION					