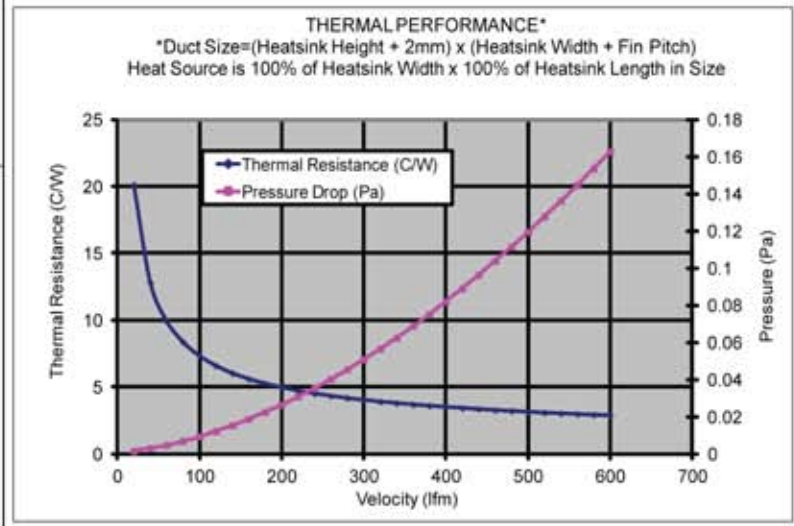
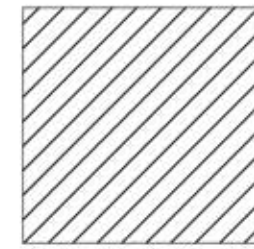
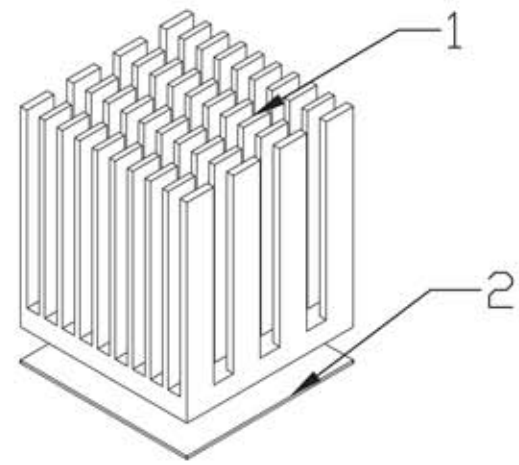
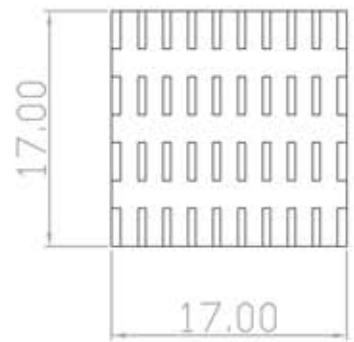
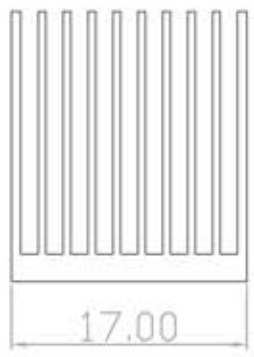


REV	DESCRIPTION	DATE	ORIGINATOR	APPROVED
A	--	--	--	--



ITEM	DESCRIPTION	QTY	DIMENSION	MATERIAL	FINISH/COLOR
2	PAD	1	17.0mm*17.0mm	T412	N/A
1	HEATSINK	1	17.0*17.0*19.5mm	AL6063-T5	Black anodized

ALL DIMENSIONS ARE IN mm

UNLESS NOTED OTHERWISE
 TOLERANCES:
 LINEAR
 X ± 0.5
 XX ± 0.3
 XXX ± 0.20
 ANGULAR
 ± 1.0°
 DO NOT SCALE DRAWING

CONCENTRICITY = 0.05 TIR
 16√ = 1.6um FINISH
 ALL THREADS CLASS 2
 PERPENDICULARITY & PARALLELISM
 0.1 REMOVE SHARP EDGES AND BURRS
 THIRD ANGLE PROJECTION

FINISH: N/A
 DRAWN BY: Mary.Zhang
 CHECKED BY: Mary.Zhang
 APPROVED BY: Michel Gelinat

MATERIAL: See Chart
 CUSTOMER PART NUMBER: N/A
 CS PART NUMBER: CS9461719BM

NAME: See Chart
 DWG SIZE: A4
 SHEET: 1 of 1

SCALE: 1:1
 DATE: 05-11-2013

Cooling Source®