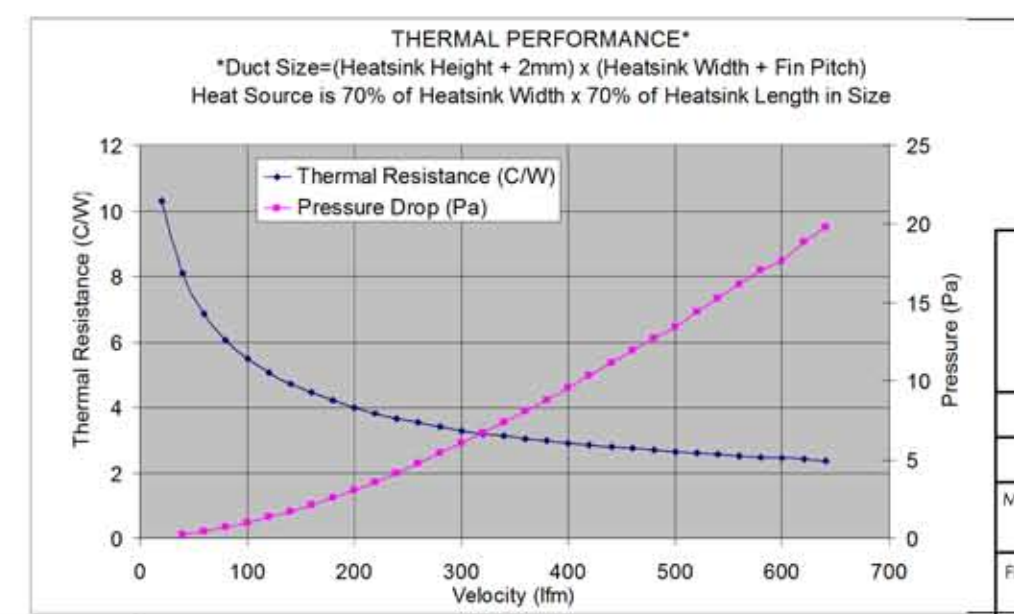
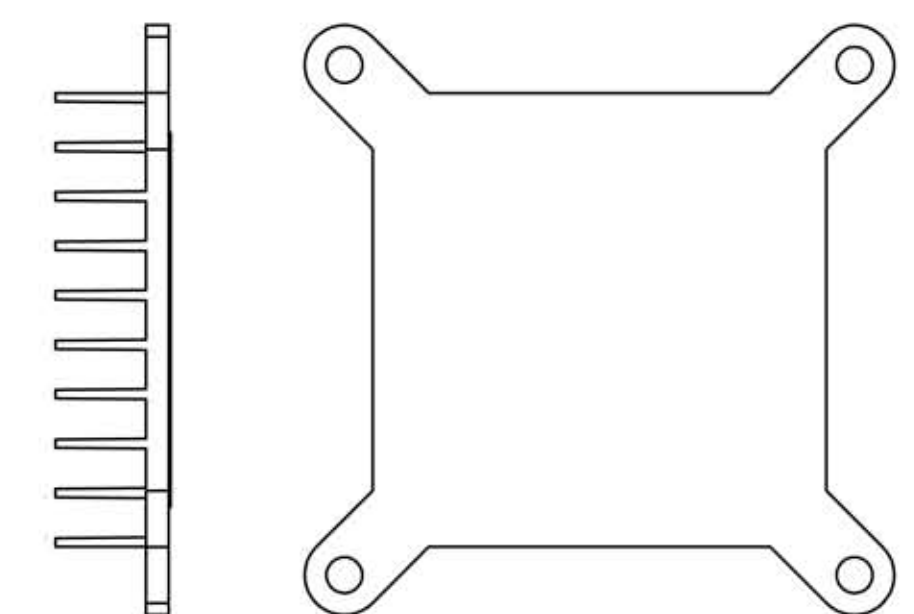
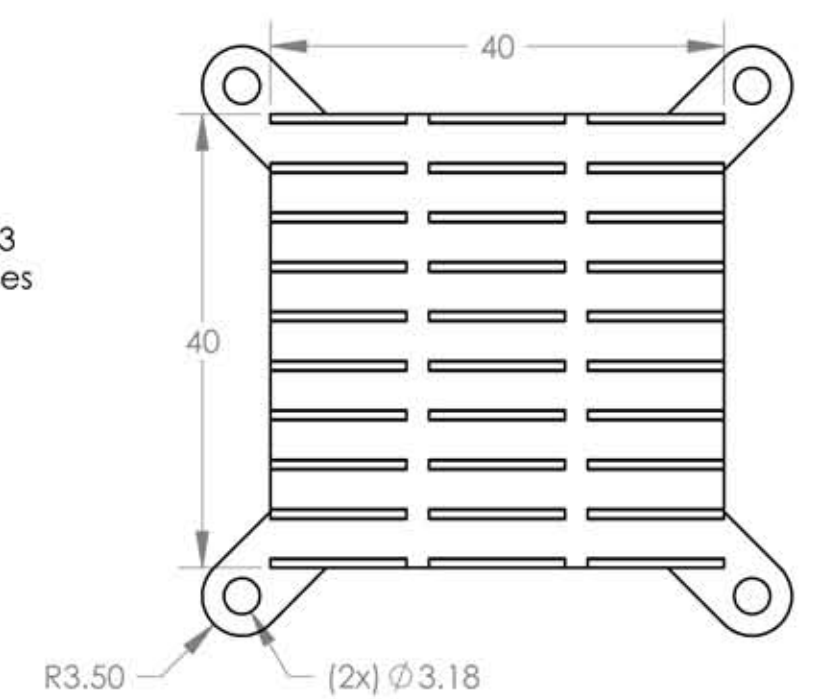
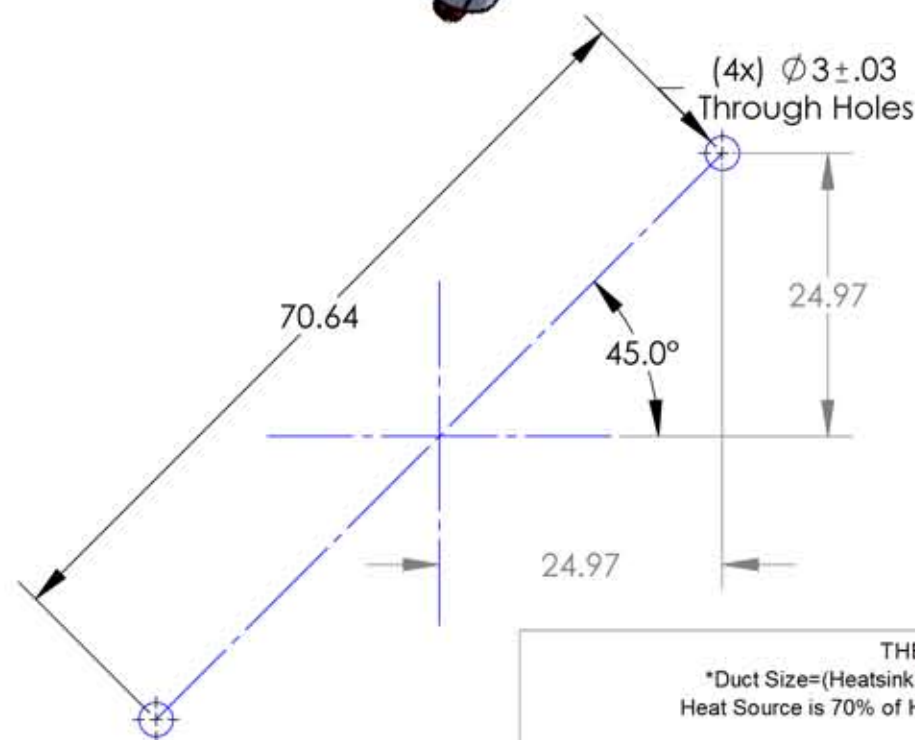
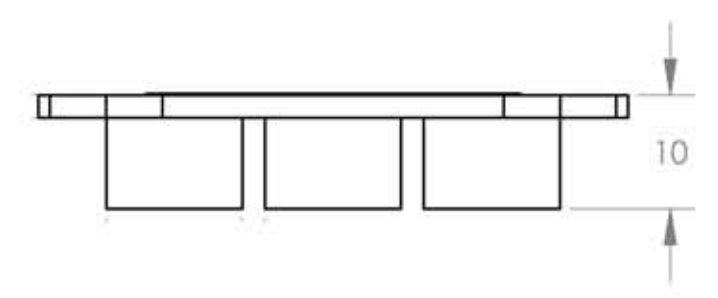
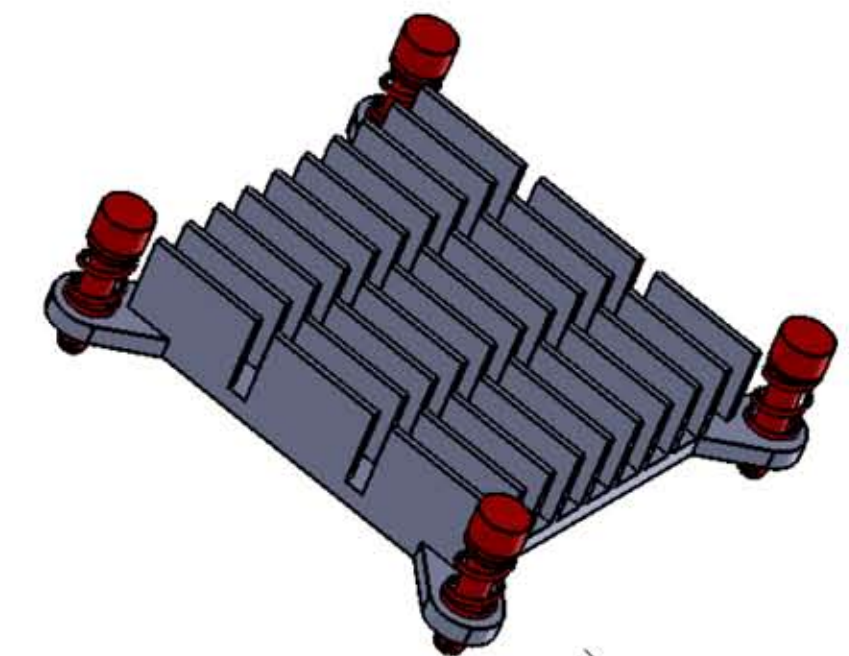


REVISION HISTORY				
REV	ECO	DESCRIPTION	DATE	APPROVED
-	-	-	-	-



- NOTES:
1. MATERIAL: ALUMINUM 6063-T5
 2. FINISH: BLACK ANODIZE
 3. ALL TOLERANCES APPLY AFTER FINISHING.
 4. REMOVE BURRS AND BREAK SHARP EDGES.

UNLESS OTHERWISE SPECIFIED DIMENSIONS ARE IN mm TOLERANCE ARE:		DO NOT SCALE THIS DRAWING			
DECIMALS	FRACTIONS	ANGLES	APPROVALS		
0-6mm=±.10			DRAWN: E.T.	04/20/2010	
6-17mm=±.15		±.5°	CHECKED: E.T.	04/20/2010	
17-30mm=±.20			RESP ENG		
REMOVE BURRS & SHARP EDGES			MFG ENG		
ALL MACHINED SURFACES 32			QUAL ENG		
MATERIAL: Aluminum 6063-T5		THE INFORMATION CONTAINED IN THIS DRAWING IS THE SOLE PROPERTY OF COOLING SOURCE CORPORATION. ANY REPRODUCTION IN PART OR WHOLE WITHOUT THE WRITTEN PERMISSION OF COOLING SOURCE CORPORATION IS PROHIBITED.		SIZE: B	DWG NO.: CS8674010B0
FINISH: Black Anodize				REV: A	
SCALE: 3: 2				SHEET: 1 OF 1	