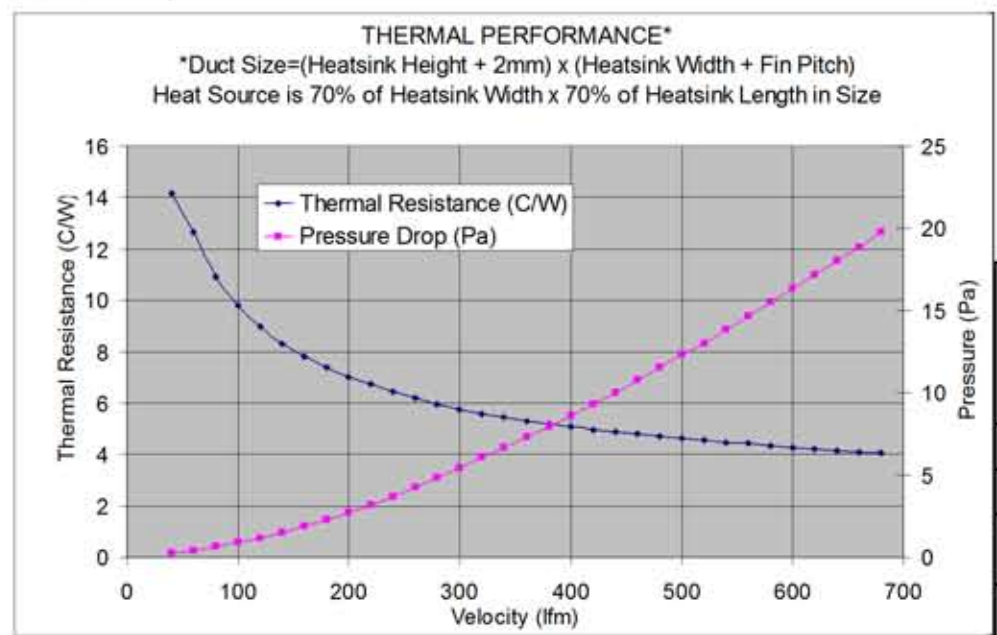
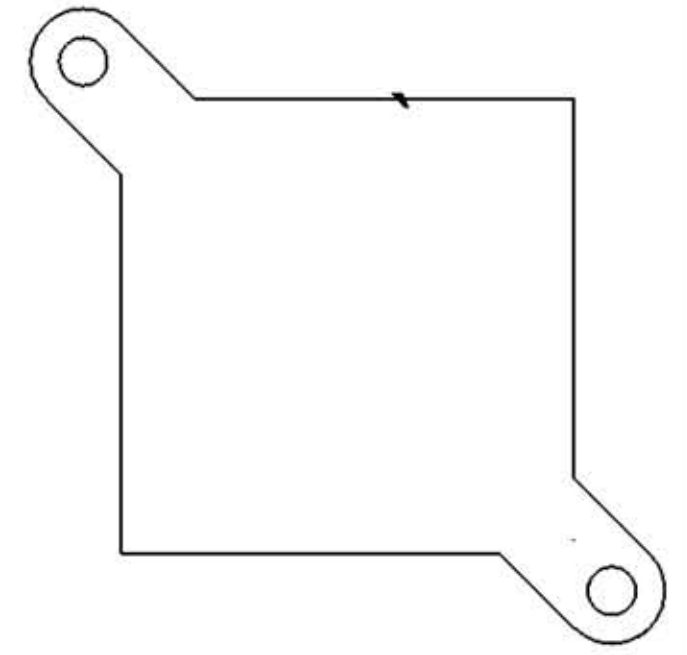
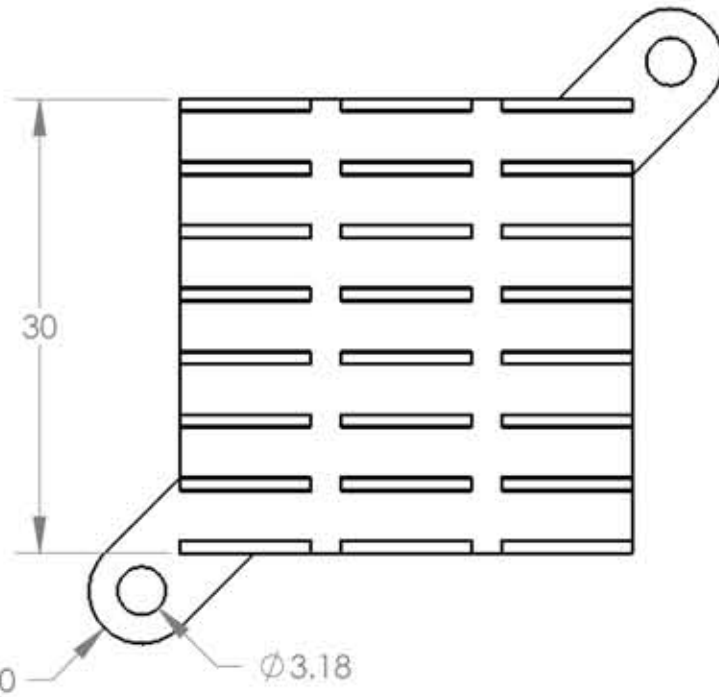
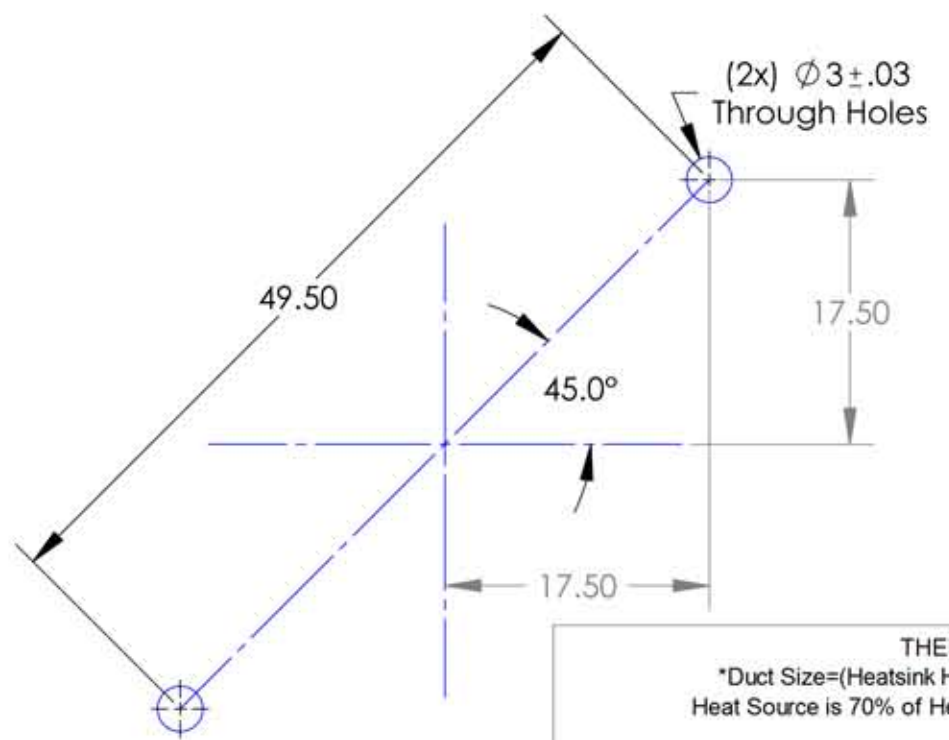
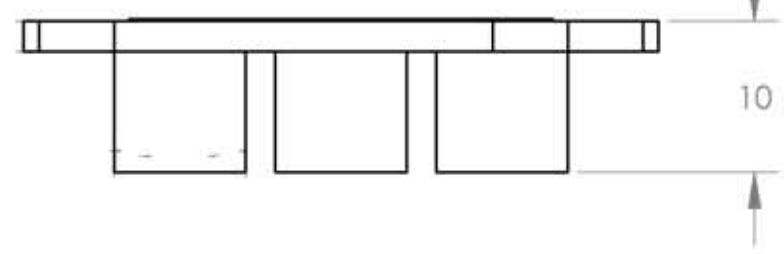
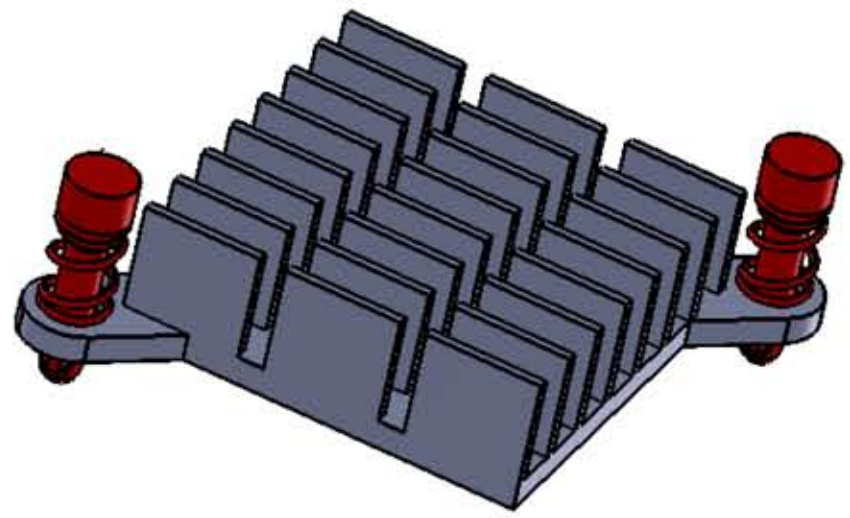


| REVISION HISTORY |     |             |      |          |
|------------------|-----|-------------|------|----------|
| REV              | ECO | DESCRIPTION | DATE | APPROVED |
| -                | -   | -           | -    | -        |



- NOTES:
1. MATERIAL: ALUMINUM 6063-T5
  2. FINISH: BLACK ANODIZE
  3. ALL TOLERANCES APPLY AFTER FINISHING.
  4. REMOVE BURRS AND BREAK SHARP EDGES.

|  |           |        |   |            |
|--|-----------|--------|---|------------|
| UNLESS OTHERWISE SPECIFIED DIMENSIONS ARE IN mm TOLERANCE ARE: |           |        | DO NOT SCALE THIS DRAWING   |            |
| DECIMALS   | FRACTIONS | ANGLES | APPROVALS   | DATE       |
| 0-6mm=±.10   |           |        | DRAWN: E.T.   | 04/20/2010 |
| 6-17mm=±.15  |           | ±.5°   | CHECKED: E.T.   | 04/20/2010 |
| 17-30mm=±.20   |           |        | RESP ENG:   |            |
| REMOVE BURRS & SHARP EDGES                                     |           |        | MFG ENG:  |            |
| ALL MACHINED SURFACES 32                                       |           |        | QUAL ENG:   |            |
| MATERIAL   |           |        | THE INFORMATION CONTAINED IN THIS DRAWING IS THE SOLE PROPERTY OF COOLING SOURCE CORPORATION. ANY REPRODUCTION IN PART OR WHOLE WITHOUT THE WRITTEN PERMISSION OF COOLING SOURCE CORPORATION IS PROHIBITED. |            |
| FINISH   |           |        | SIZE  | DWG NO.    |

**Cooling Source**

SCALE: 3: 2

SIZE: **B** DWG NO.: CS8673010B REV: **A**

SHEET: 1 OF 1